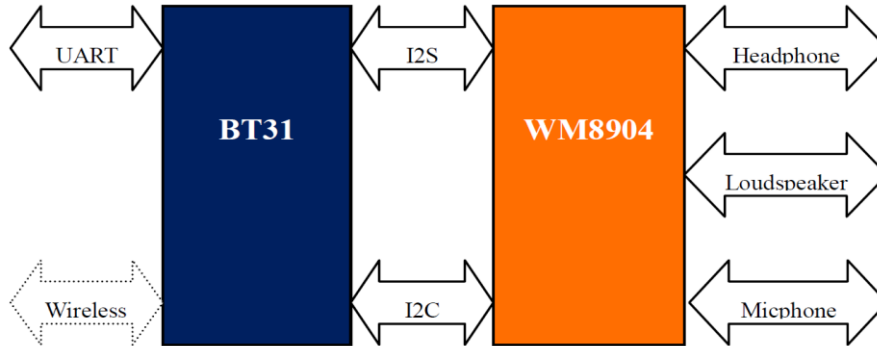


# Audio Evaluation Board

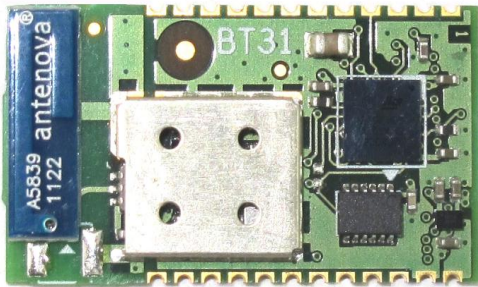


Amp'ed RF Bluetooth-based Audio Evaluation Kit integrates BT31 Bluetooth module and a high performance audio chip WM8904 from Wolfson. BT31 is our Bluetooth v3.0 ready to use module, with A2DP, HSP and HFP Bluetooth audio profile.



Audio Evaluation Board Structure

## BT31



15mm x 27mm

### Features

#### Bluetooth features

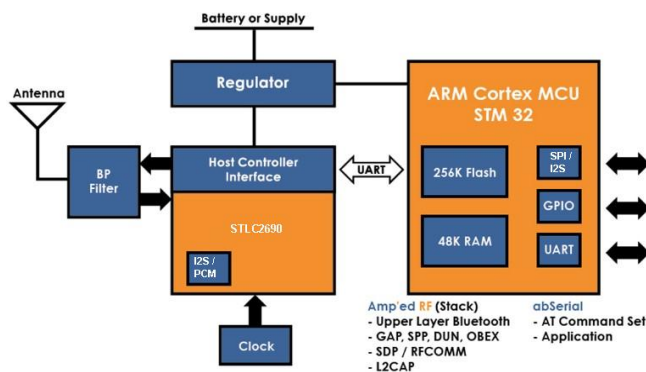
- FCC & Bluetooth licensed radio
- Bluetooth v3.0
- Class 1 radio
- Range up to 100m LOS
- 1.5Mbps data throughput
- 128-bit encryption security
- Multipoint capability up to 7 slaves
- FM Tx/Rx integrated radio

#### Hardware configuration

- Cortex-M3 microprocessor up to 72MHz
- 256K bytes flash memory
- 48K bytes RAM memory
- UART, up to 2Mbps
- SPI, I2C, I2S and PCM interfaces
- 16 general purpose I/O
- 4x12bit A/D inputs
- 1 DAC output

#### Embedded software

- Amp'edUP Bluetooth stack (SPP, A2DP, HSP, HFP)
- abSerial, AT command set
- SDK, Software Development Kit (Optional)
- BlueGuard, data encryption software (Optional)
- Mobile application software(Optional)



BT31 Hardware Structure

